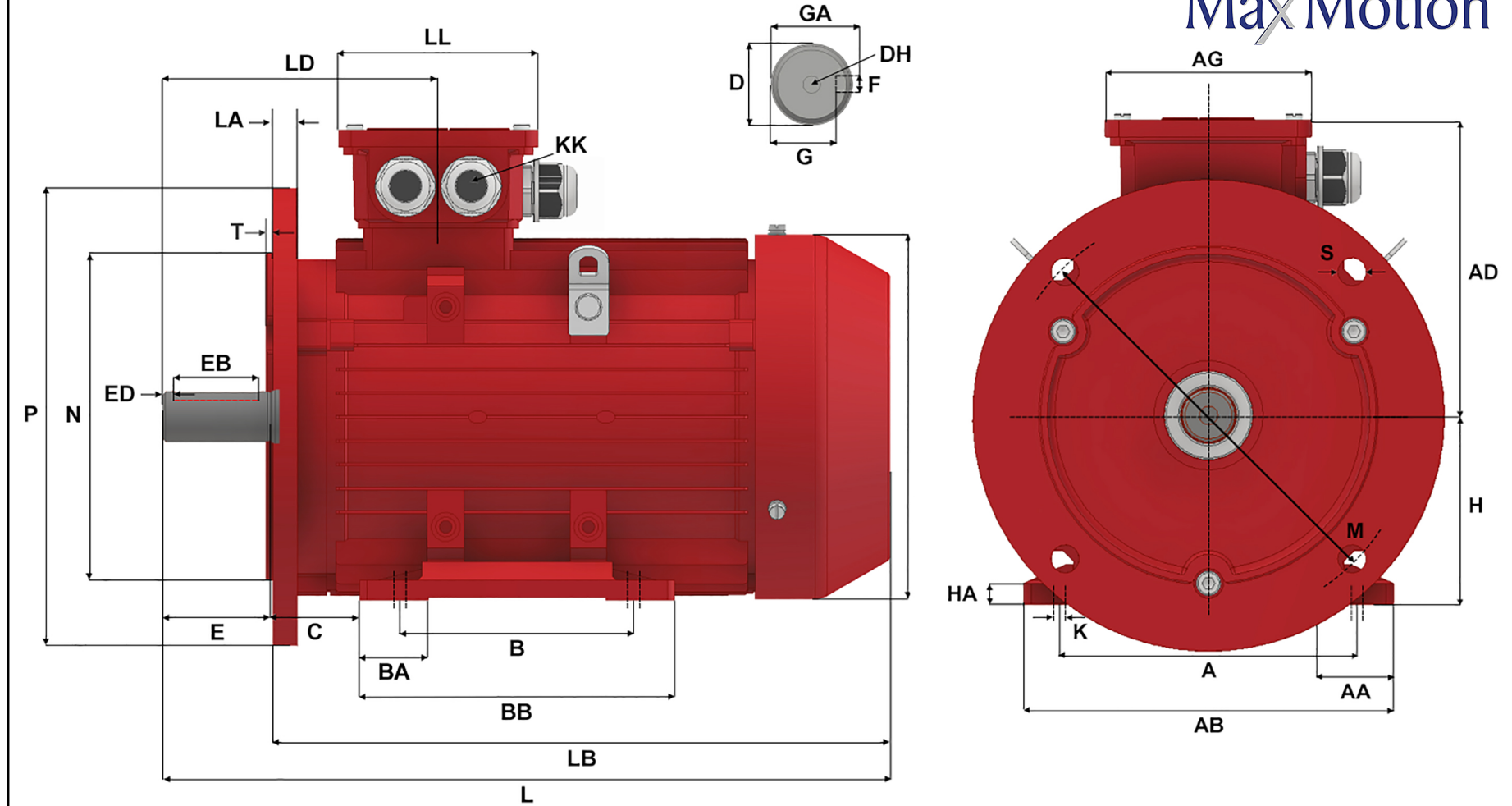


# MaxMotion



Version: 1JLEM		Revised: 09-11-2019		HP	RPM	FRAME	ENCLOSURE	IJA160M-4-B35								
Customer is responsible in determining that Max Motion product will fit/perform suitably in the intended application								15	1755	160M	TEFC					
A	B	C	D	E	F	G	H	K	L	M	N	P				
254	210	108	42	110	12	37	160	15 X 18	615	300	250	350				
S	T	AA	AB	AC	AD	AG	BA	BB	DH	EB	ED	GA				
18.5	5	55	304	315	242	160.5	50	260	M16 X 36	90	10	45				
HA	KK (1)	KK (2)	KK (3)	LA	LB	LD	LL									
18	M40 X 1.5	1" NPT	M16 X 1.5	15	505	268.5	155									